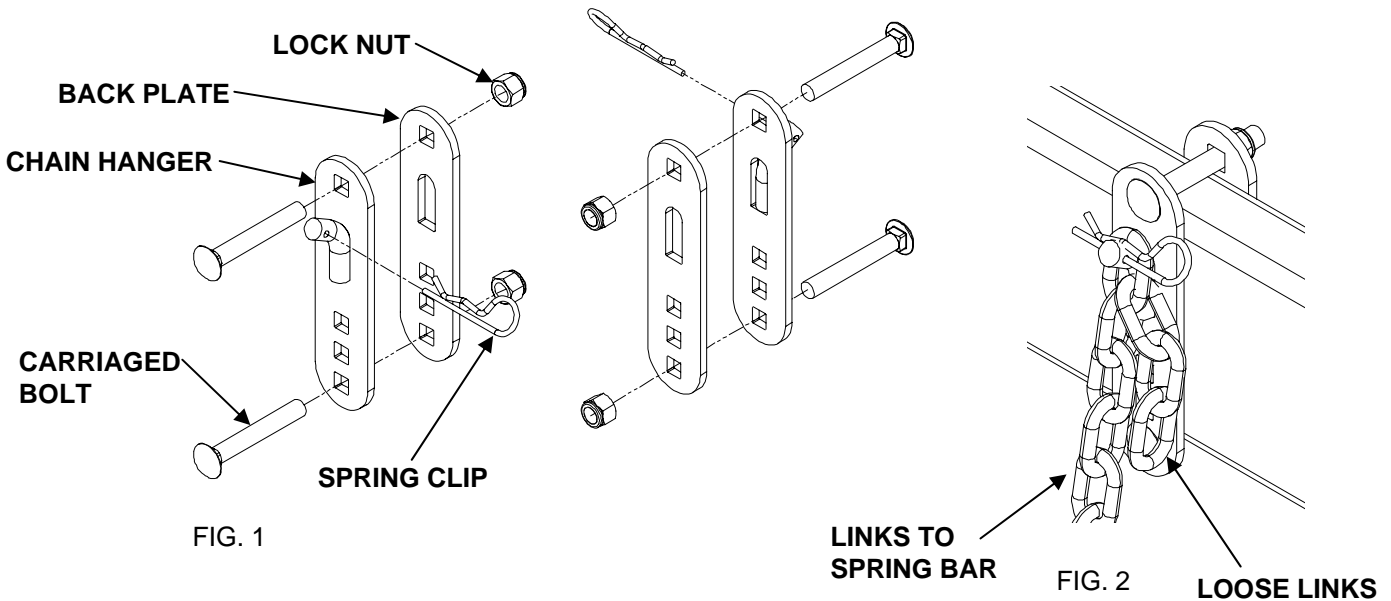


INSTALLATION INSTRUCTIONS

CHAIN HANGER CLAMP ON

PLYMOUTH, MI.



INSTALLING CHAIN HANGER:

1. INSERT ONE CARRIAGED BOLT THROUGH TOP HOLE IN CHAIN HANGER (SEE FIG. 1) AND IN TOP HOLE OF BACK PLATE. THREAD LOCK NUT ON CARRIAGED BOLT.
2. HANG THE ASSEMBLY OVER THE TRAILER FRAME APPROX. 31" FROM THE CENTER OF COUPLER BALL CENTER TO CENTER OF CHAIN HANGER. **NOTE:** CHAIN HANGER MIGHT NEED TO MOVE FORE AND AFT, TO ALLOW SPRING BAR CHAIN TO BE VERTICAL.
3. INSERT SECOND CARRIAGED BOLT THROUGH CHAIN HANGER HOLE AND BACK PLATE HOLE THAT IS THE NEAREST TO THE BOTTOM OF TRAILER FRAME.
4. TIGHTEN LOCK NUT EVENLY SO THE CHAIN HANGER AND BACK PLATE ARE TIGHT AGAINST THE TRAILER FRAME. **CAUTION** : DO NOT OVER TIGHTEN NUTS AND BOLTS, MAY CAUSE DAMAGE TO TRAILER FRAME.
5. REPEAT STEP 1 THRU 4 FOR OTHER SIDE.

HOOK UP:

1. HOOK UP TOW VEHICLE AND TRAILER. (CONSULT W.D. INSTRUCTIONS FOR HOOK UP)
2. PLACE SPRING BAR IN W.D. HEAD. (CONSULT W.D. INSTRUCTIONS FOR HOOK UP)
3. RAISE TRAILER TONGUE AND REAR OF CAR WITH JACK. **NOTE:** PLACE WOOD BLOCK UNDER JACK FOR EXTRA HEIGHT AND CONFIRM TRAILER IS STABLE.
4. SLIP THE CLOSEST LINK OVER THE CHAIN HANGER HOOK. **NOTE:** MAKE SURE LOOSE LINKS ARE AT BOTTOM OF LINKS THAT IS HOOKED IN PIN. (SEE FIG. 2) (IF THERE ARE LESS THAN 5 LINKS BETWEEN HOOK AND U-BOLT ADJUST BALLMOUNT ANGLE REARWARD, AND REPEAT PROCEDURE). PLACE SPRING CLIP IN TO CHAIN HANGER HOOK HOLE.
5. REPEAT FOR OTHER SIDE.
6. CONSULT W.D. INSTRUCTIONS FOR THE REST OF THE HOOK UP.

For Installation Assistance or Technical Help, Call 1-888-521-0510